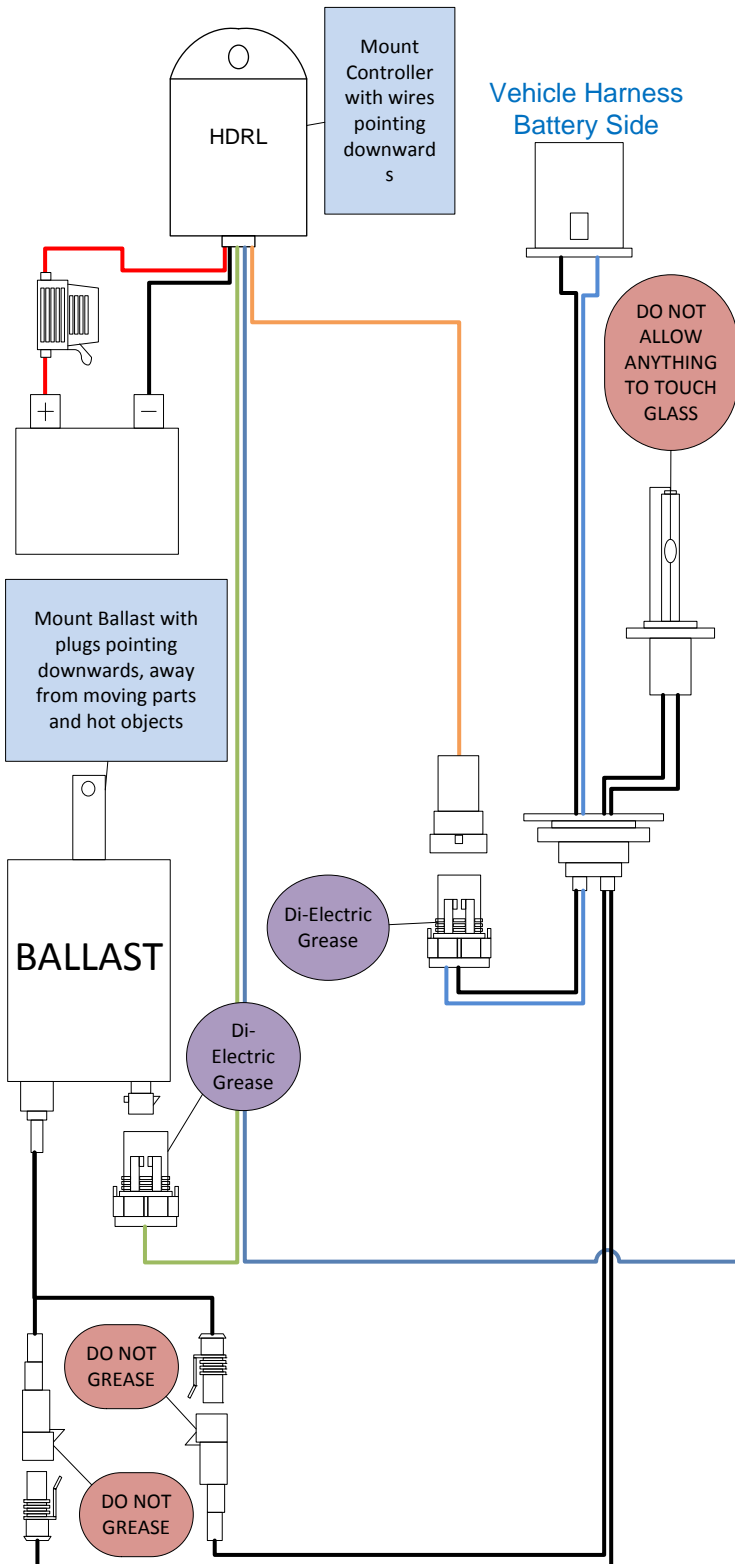


Single Beam HID Kit with HDRL x 1 and RES3 on Opposite Side

Battery Side of Vehicle



Opposite Side of Battery

