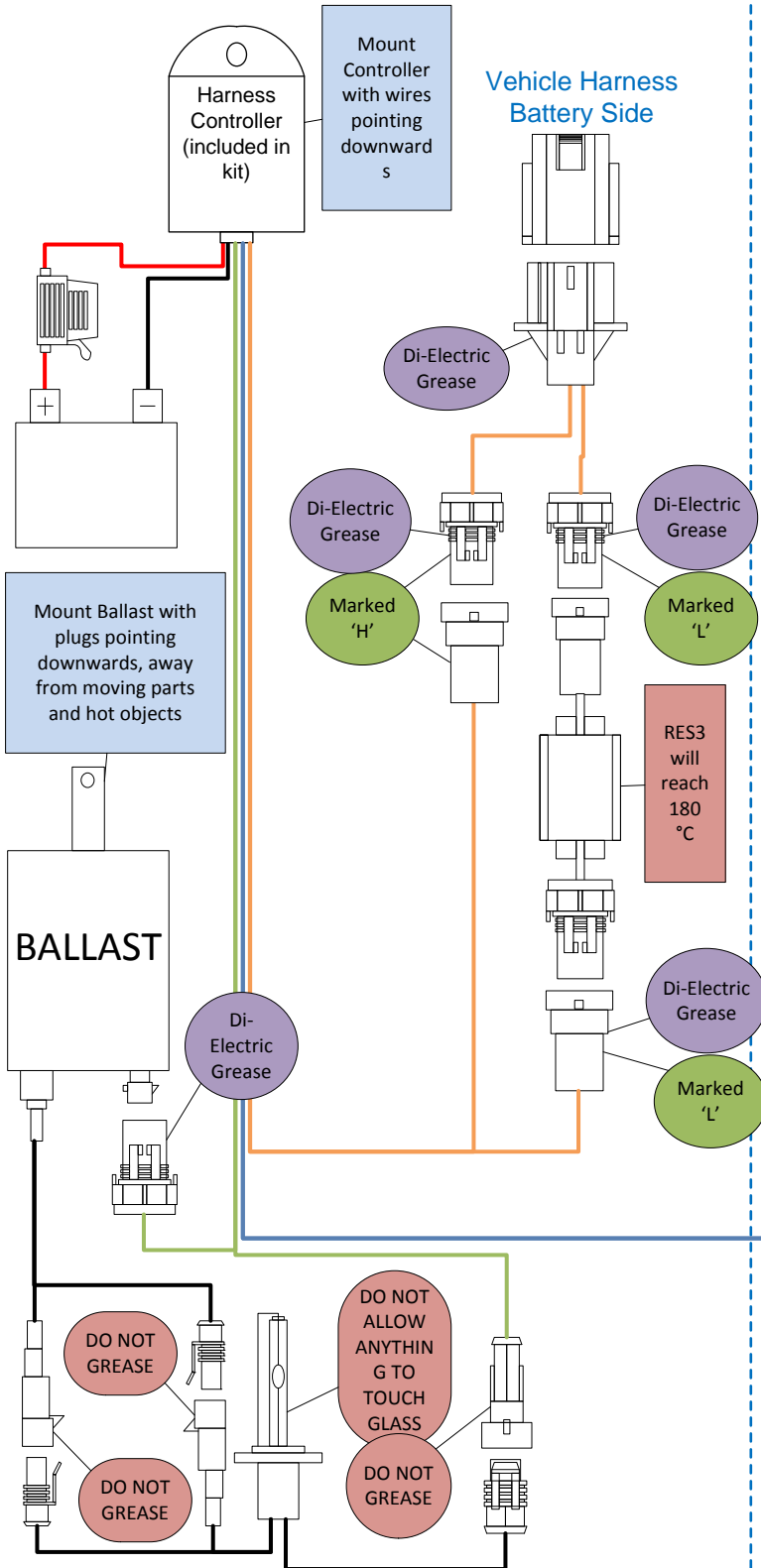
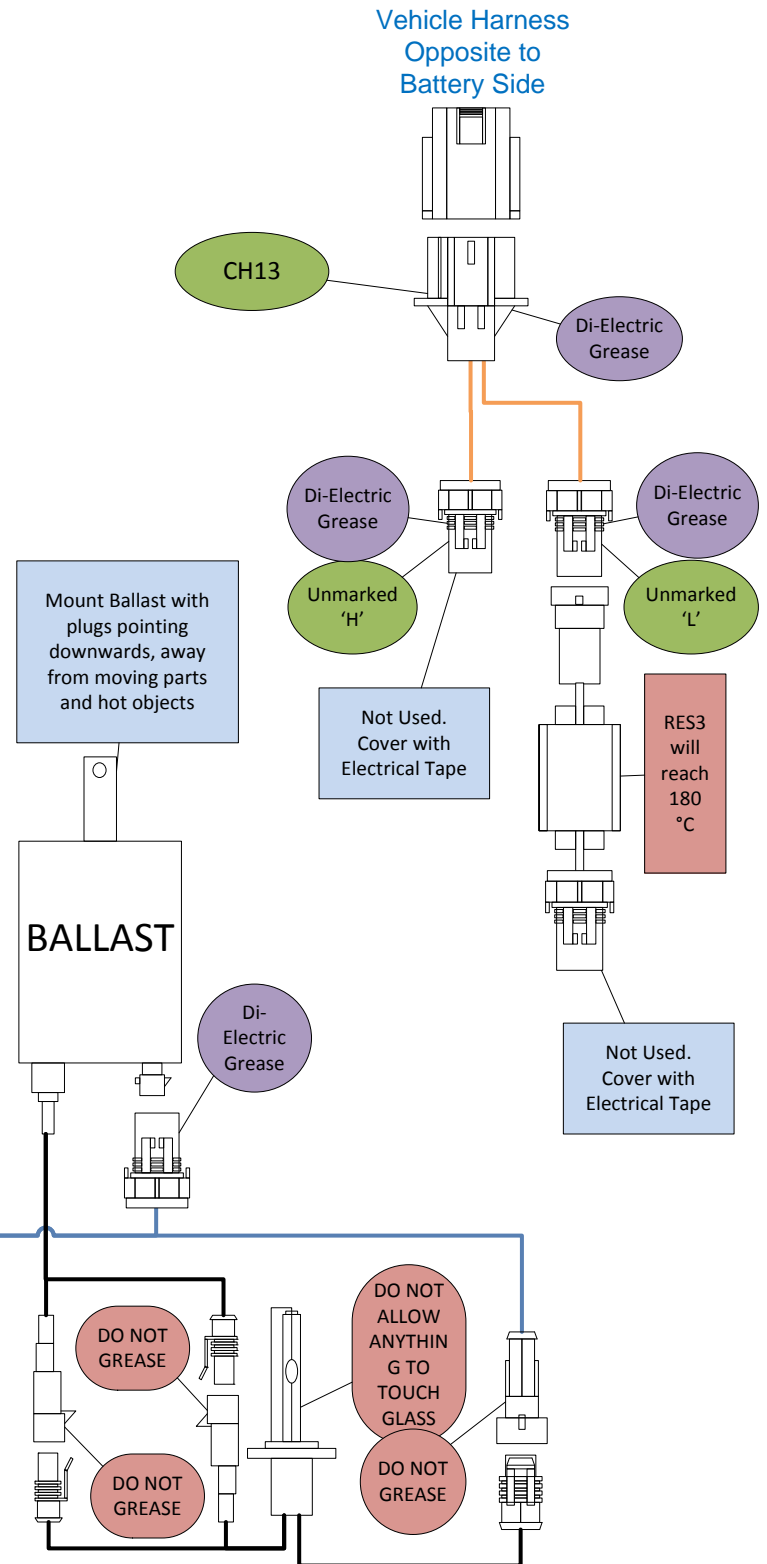


E4. H13 Bi-Xenon HILO Kit with 2 x RES3 and 1 x CH13 to Low Beam

Battery Side of Vehicle

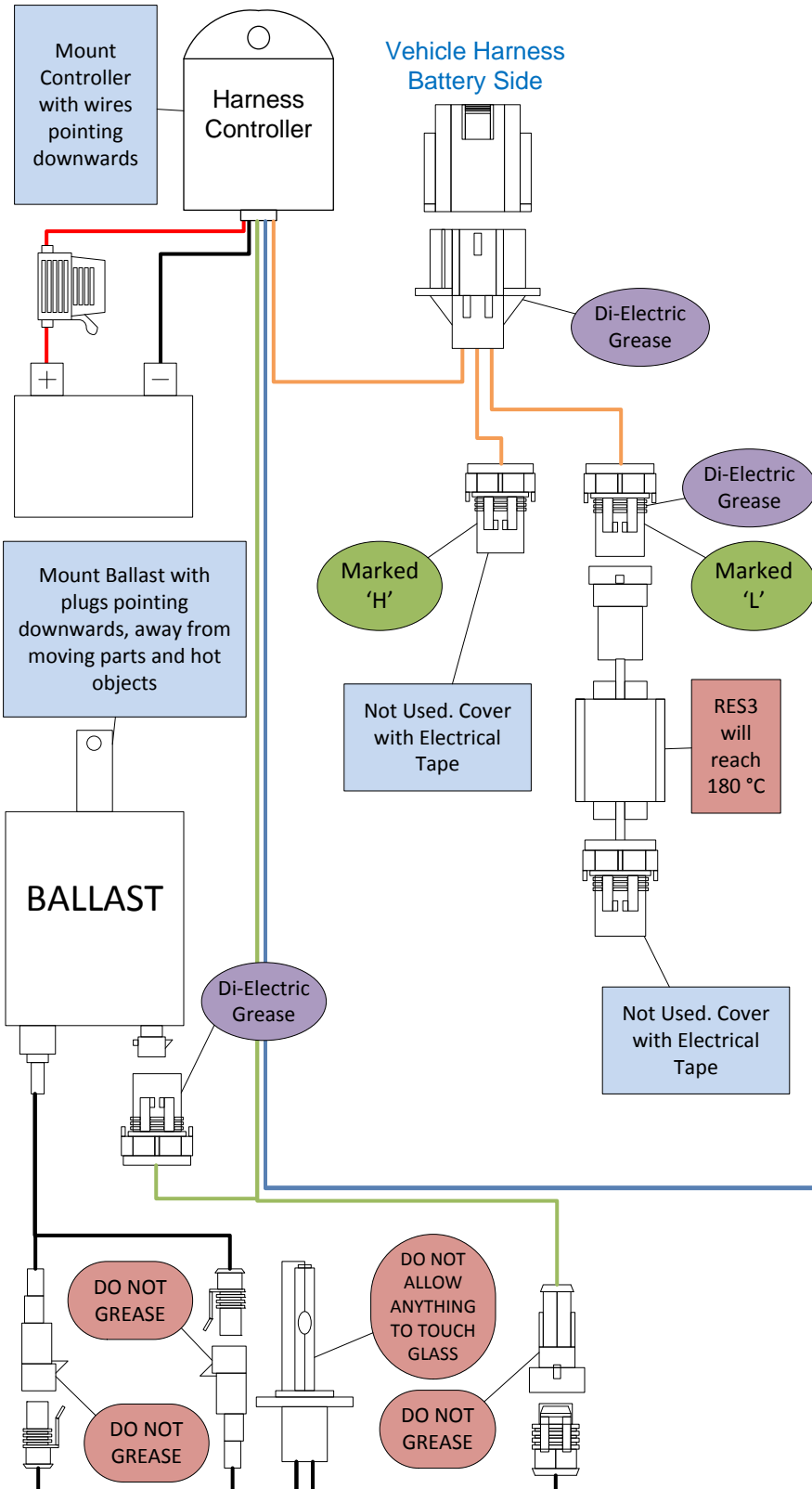


Opposite Side of Battery



H13 Bi-Xenon HILO Kit with 2 x RES3 to Low Beam Circuits

Battery Side of Vehicle



Opposite Side of Battery

