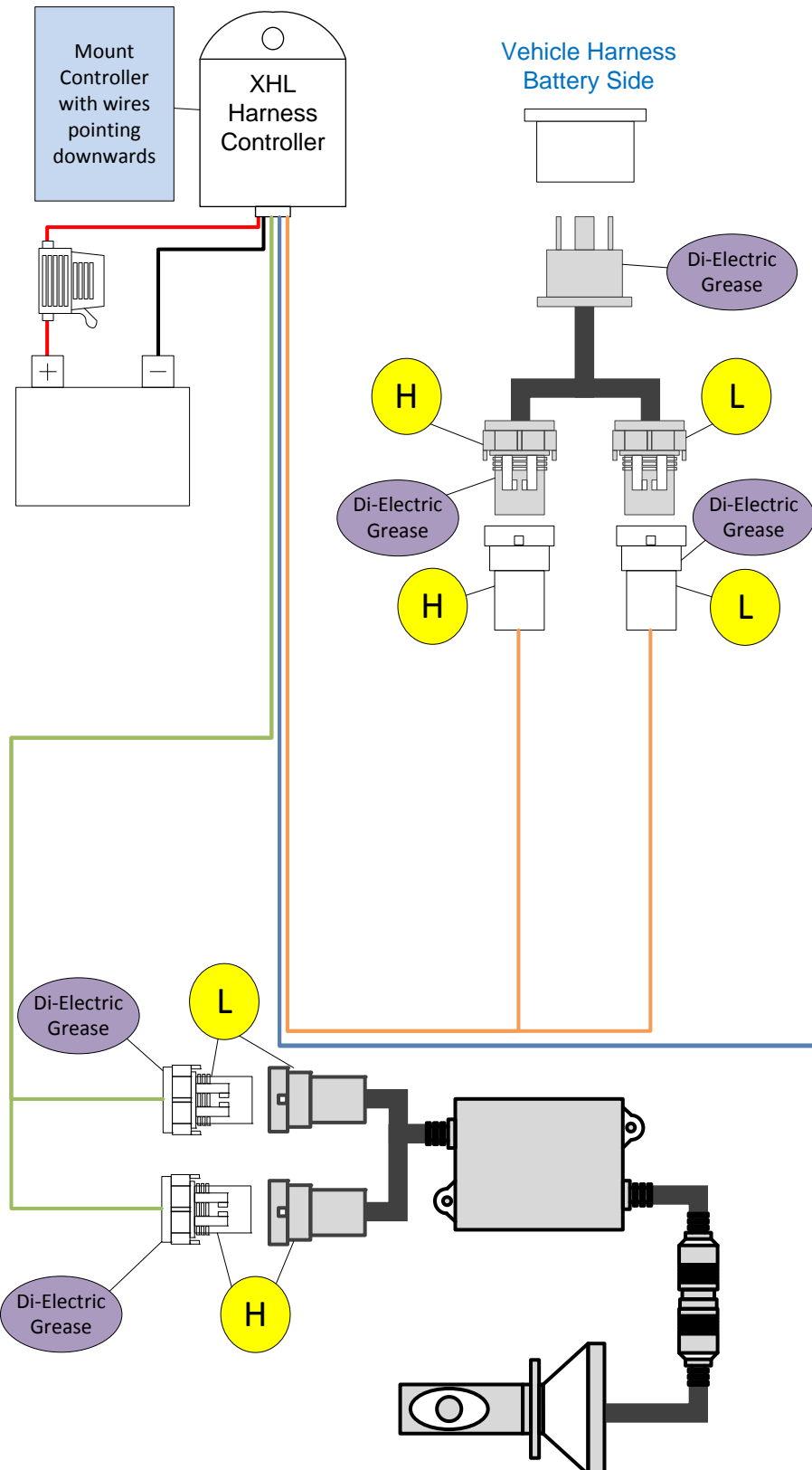


## H4 Xtreme LED Kit with XHL x 1 and RES3 to L on non-battery side

### Battery Side of Vehicle



### Opposite Side of Battery

